

Air knife

PT-A75

PT-A150

PT-A300



Air knife PT-A75 PT-A150 PT-A300

Simple to adjust

- swiveling and turning suction box, can be flexibly adapted to the strand flow



Simple to clean

- flat surfaces, water separator made from stainless steel, just rinse and clean



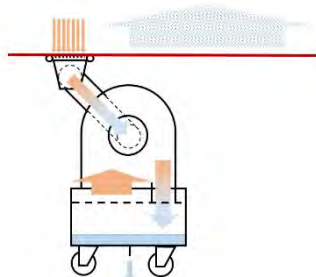
Simple to install

- compact design , safe to transport , easy to move , quickly aligned



The air knives were especially developed for use in the production of compounds and masterbatches. Compact and ergonomically designed. Flexible, rugged and very efficient in use

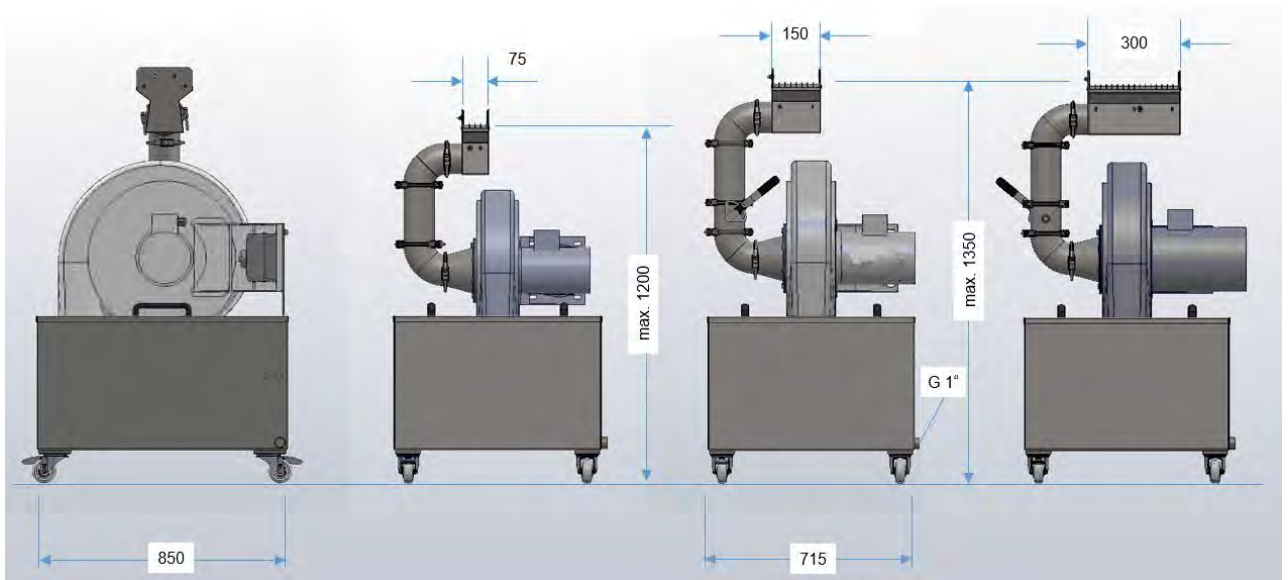
Principle of operation:



The plastic strands are passed over a split sieve, guided by strand guide rollers. An airflow generated by a suction fan is divided in many individual air streams with high air velocity at this split sieve. Adhering surface water at the strands is ripped off by this air streams and led into a water separator. There, the water droplets are separated and collected by gravity. The remaining heat of the strands evaporate the residual surface moisture.



Dimensions:



Data:

	Air knife	PT-A75	PT-A150	PT-A300
Working width	[mm]	75	150	300
No. of strands		max. 10	max. 20	max. 40
Throughput range	[kg/h]	max. 300	max. 600	max. 1200
Drive power	[kW]	1,1	2,2	4,0
Air flow	[m³/min]	27	50	60
Suction pressure	[daPa]	300	360	350
Water separation		Gravity separator		
Sound level	[dbA]	<= 85		
Weight	[kg]	70	90	125

Of course, the air knife could be completed with a suitable cooling trough, pelletizer and sifter forming a complete pelletizing line. The adaption of our equipment to existing pelletizing lines, as well as the delivery of special customized machinery will be executed flexible, quick and affordable.



About us:

The PT Maschinenbau GmbH is a privately owned company, located in southern Germany. As specialists in strand pelletizing we deliver our products from here to customers throughout whole Europe and worldwide.

We bundle up the core competencies for design, engineering and construction of our products. For the further provision of services we complement our abilities us by using a proven network of suppliers and service providers. We prefer generating our products by using local and European suppliers.



During decades of working in this business area we have gained a comprehensive experience, derived from countless projects with notable customers in all industry sectors and countries. Based on this know-how, with a long lasting and well-rehearsed team, we generate proven, reliable and durable solutions for our customers.

Scope of products:

Cooling		Drying		Cutting		Sifting
Cooling trough	Cooling belt	Strand conveyance	Water circulation	Air wipe Air knife	Pelletizer	Sifter
PT-K150	PT-B100	PT-C100	PT-W20	PT-D50	PT-G50E	PT-S150
PT-K200	PT-B200	PT-C200	PT-W40	PT-D100	PT-G100E	PT-S300
PT-K250	PT-B300	PT-C300	PT-W60	PT-A75	PT-G120D	PT-S400
PT-K400			PT-W90	PT-A150	PT-G220D	PT-S400-DD
PT-K600			PT-W120	PT-A300	PT-G320D	PT-S550-DD
PT-K800			PT-W150	PT-A400		
				PT-A600		

PT Maschinenbau GmbH
Schafweide 3
D-63762 Grossostheim

Telefon: +49-(0)6026-95180-04
Telefax: +49-(0)6026-95180-05
eMail: office@pt-maschinenbau.com

Information and illustrations refer to the date of printing.
Subject to change. Version 2.1 - 2018-01